

INSTRUMENTATION GRADE WAVEGUIDE ADAPTERS

35WR Series 18 to 110 GHz



The 35 Series precision adapters transform standard or double-ridge waveguide to coaxial K Connector® and V Connector®, and W1 Connector®, interfaces, thus enabling convenient millimeter wave coaxial measurements.

Features

- 18 to 65 GHz frequency coverage
- K Connector® compatibility with SMA and 3.5 mm
- V Connector® compatibility with 2.4 mm
- W1 Connector® compatibility with 1.0 mm
- Standard and double-ridge designs

Specifications

Model	Frequency range (GHz)	Connectors	W/G flange	SWR
35WRD180K 35WRD180KF	18 to 40	WRD180 to K(m) WRD180 to K(f)	N/A	1.25
35WR42K 35WR42KF	18 to 26.5	WR42 to K(m) WR42 to K(f)	595	1.25
35WR28K 35WR28KF	26.5 to 40	WR28 to K(m) WR28 to K(f)	599	1.25
35WR22K 35WR22KF	33 to 50	WR22 to K(m) WR22 to K(f)	383	1.30
35WR22V 35WR22VF	33 to 50	WR22 to V(m) WR22 to V(f)	383	1.30
35WR19K 35WR19KF	40 to 50 Usable to 54	WR19 to K(m) WR19 to K(f)	383	1.30
35WR19V 35WR19VF	40 to 60	WR19 to V(m) WR19 to V(f)	383	1.30
35WR15V 35WR15VF	50 to 65	WR15 to V(m) WR15 to V(f)	385	1.30
35WR10W 35WR10WF	75 to 110	WR10 to W(m) WR10 to W(f)	387	1.38

Impedance: 50 Ω

Temperature range: -55°C to +125°C

Ordering information

Please specify model/order number, name, and quantity when ordering.

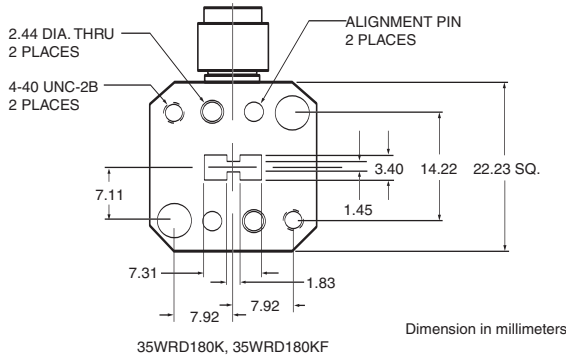
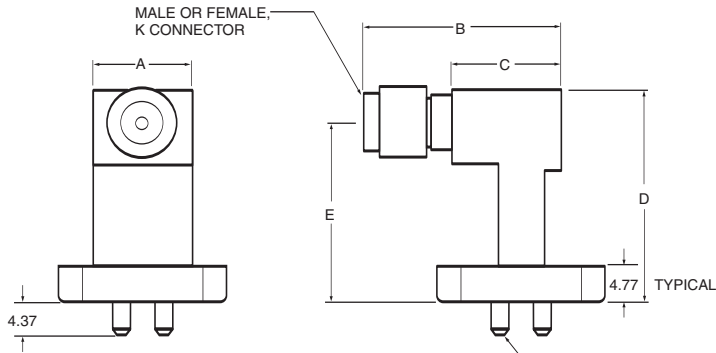
Model/Order No.	Name
	Precision waveguide to coax adapter
35WRD180K	18 to 40 GHz, WRD180 (double ridge waveguide) to K(m)
35WRD180KF	18 to 40 GHz, WRD180 (double ridge waveguide) to K(f)
35WR42K	18 to 26.5 GHz, WR42-K(m)
35WR42KF	18 to 26.5 GHz, WR42-K(f)
35WR28K	26.5 to 40 GHz, WR28-K(m)
35WR28KF	26.5 to 40 GHz, WR28-K(f)
35WR22K	33 to 50 GHz, WR22-K(m)
35WR22KF	33 to 50 GHz, WR22-K(f)
35WR22V	33 to 50 GHz, WR22-V(m)
35WR22VF	33 to 50 GHz, WR22-V(f)
35WR19K	40 to 50 GHz (usable to 54 GHz), WR19-K(m)
35WR19KF	40 to 50 GHz (usable to 54 GHz), WR19-K(f)
35WR19V	40 to 60 GHz, WR19-V(m)
35WR19VF	40 to 60 GHz, WR19-V(f)
35WR15V	50 to 65 GHz (usable to 67 GHz), WR15-V(m)
35WR15VF	50 to 65 GHz (usable to 67 GHz), WR15-V(f)
35WR10W	75 to 110, WR10 to W(m)
35WR10WF	75 to 110, WR10 to W(f)

Outline drawings for the 35 Series Waveguide-to-Coaxial Adapters, 18 to 110 GHz, are shown on the following three pages.

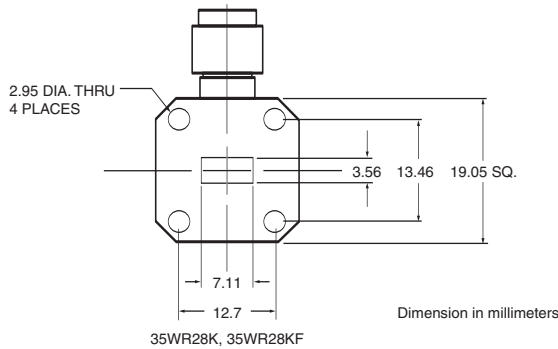
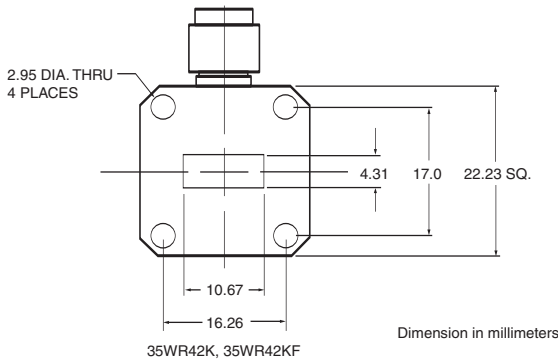
INSTRUMENTATION GRADE WAVEGUIDE ADAPTERS

35WR Series 18 to 110 GHz

Outline Drawings



Model	Dimensions (mm)				
	A	B	C	D	E
35WRD180K	13.20	27.9	14.43	28.40	23.80
35WRD180KF	13.20	22.9	14.43	28.40	23.80
35WR42K	13.20	27.9	14.43	28.14	23.93
35WR42KF	13.20	22.9	14.43	28.14	23.93
35WR28K	10.67	27.9	14.86	28.78	23.93
35WR28KF	10.67	22.9	14.86	28.78	23.88

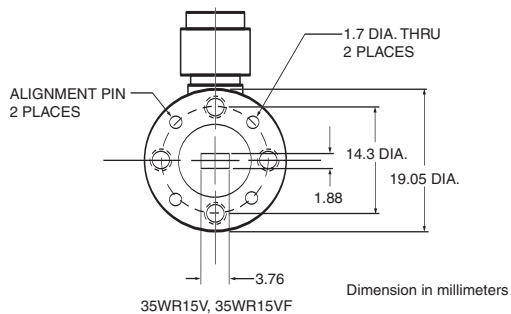
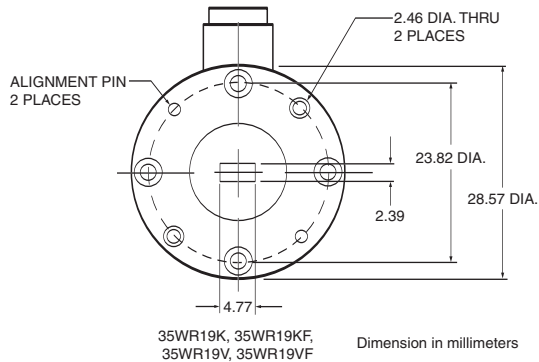
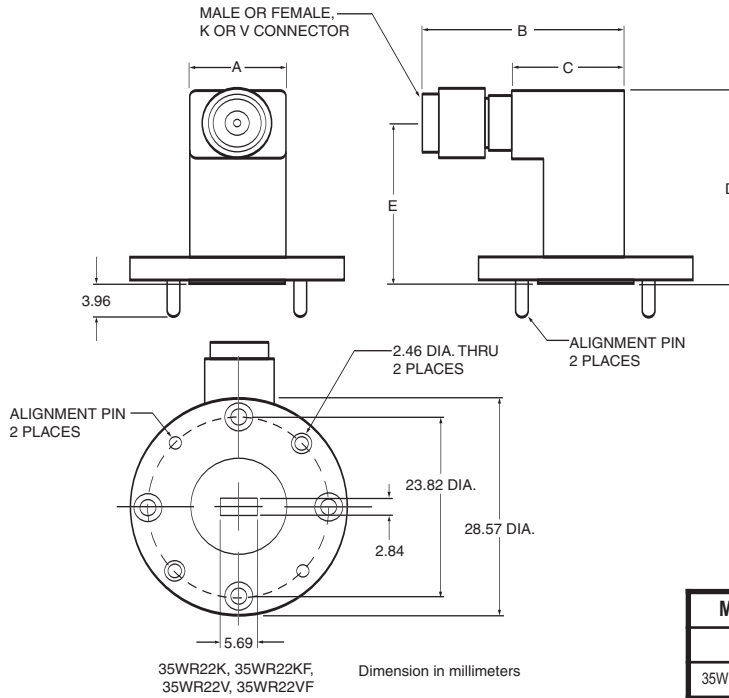


35WRD180K, 35WRD180KF, 35WR42K, 35WR42KF, 35WR28K, 35WR28KF outlines

INSTRUMENTATION GRADE WAVEGUIDE ADAPTERS

35WR Series 18 to 110 GHz

Outline Drawings



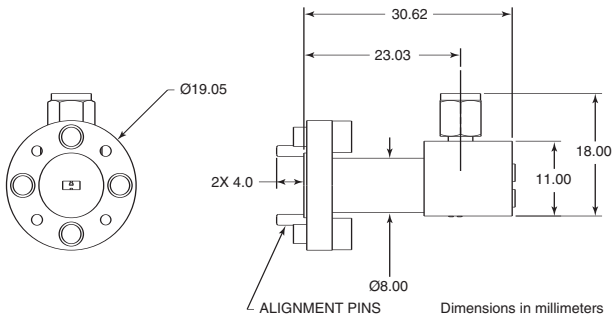
Model	Dimensions (mm)				
	A	B	C	D	E
35WR22K	12.70	26.9	14.73	25.76	21.44
35WR22KF	12.70	21.6	14.73	25.76	21.44
35WR22V	12.70	26.9	14.73	25.76	21.44
35WR22VF	12.70	21.6	14.73	25.76	21.44
35WR19K	12.70	26.9	14.73	25.76	21.44
35WR19KF	12.70	21.6	14.73	25.76	21.44
35WR19V	12.70	27.9	14.73	25.76	21.44
35WR19VF	12.70	22.6	14.73	25.76	21.44
35WR15V	12.70	24.4	12.19	26.97	21.62
35WR15VF	12.70	20.3	12.19	26.97	21.62

35WR22K, 35WR22KF, 35WR22V, 35WR22VF, 35WR19K, 35WR19KF, 35WR19V, 35WR19VF, 35WR15V, and 35WR15VF outlines

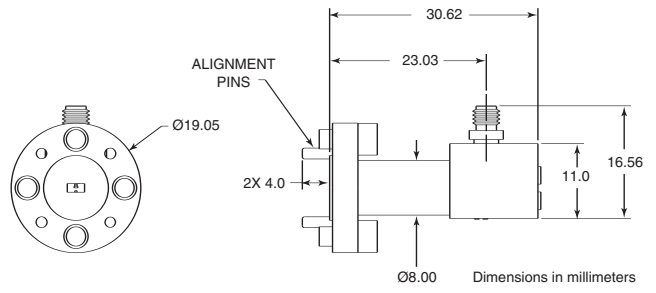
INSTRUMENTATION GRADE WAVEGUIDE ADAPTERS

35WR Series 18 to 110 GHz

Outline Drawings



35WR10W outline



35WR10WF outline